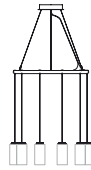


## Cirio Chandelier

Antoni Arola. 2015  
Pendant lamps

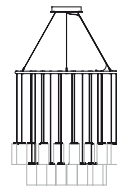


Chandelier XS



A

Chandelier S



B

Chandelier M



C

Chandelier L



D

Lampshades



White  
porcelain



White Pana  
porcelain



White opal  
glass

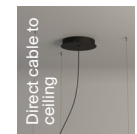


Polished  
brass

Canopies



Direct cable to  
canopy



Direct cable to  
ceiling



Cirio Chandelier concentrates a large amount of light into a vertical column that stands out against its surrounding space. Its compact sequence of concentric rings, increasing in diameter outward, can suspend twenty, thirty, or even forty points of light, collectively radiating a warm and striking luminous flow with strong visual impact.

Common in palaces, theaters, and grand halls, chandeliers have historically been symbols of prestige, often with a theatrical touch. The opulence of traditional chandeliers came from the abundance of reflective materials like crystal and gilded metal, as well as their structural complexity. In this reinterpretation, the visual richness no longer derives from ostentatious materials but from the accumulation of modules, which, when arranged at varying heights and densities, create a composition full of nuance and depth.

The Cirio family has four shade options. The handcrafted Sargadelos porcelain, whose translucence bathes the white shade in amber, provides a diffuse and very warm light. In its striped version, it also gains texture and three-dimensionality. For greater luminous efficiency, opal glass offers a more intense and economical alternative. Finally, the opacity of brass allows for focused, directional lighting.

### General description:

Capsule with LED module, translucent white diffuser and heat sink with black matte finish.

4 lampshade options: white porcelain, white Pana porcelain, white opal glass and polished brass.

Matte black aluminum circular structure:

(A)  $\varnothing$  70 cm / 27.6" for 10 lampshades

(B)  $\varnothing$  100 cm / 39.4" for 20 lampshades

(C)  $\varnothing$  130 cm / 51.2" for 30 lampshades

(D)  $\varnothing$  160 cm / 63" for 40 lampshades

Adjustable black metallic circular canopy + equipment.

2 hanging system options: direct cable to ceiling plate or direct cable to ceiling.

Suitable for Junction Box (American version).

Electric cable length: 5 m / 196.8"

### Approximate weight (unpacked):

(A) Chandelier XS\*: 10 Kg / 22 lb

(B) Chandelier S\*: 20 Kg / 44 lb

(C) Chandelier M\*: 30 Kg / 66 lb

(D) Chandelier L\*: 40 Kg / 88 lb

Lampshades:

Porcelain: 0,5 kg / 1.1 lb

Pana porcelain: 0,4 kg / 0.8 lb

Glass: 0,6 kg / 1.3 lb

Brass: 0,3 Kg / 0.7 lb

\*Weight with porcelain lampshade

# Cirio Chandelier

Antoni Arola. 2015  
Pendant lamps

## Technical information:

Dimmable light source included  
Capsule with LED module

Rated input wattage (LED capsule): 8 W  
Operating current: 530 mA  
CCT: 2.700 K  
CRI: 90  
Lifetime: 40.000 h

### (A)

Rated input wattage: 67 W  
Luminous flux:  
Porcelain 1.640 lm  
Pana porcelain 2.400 lm  
Glass 5.590 lm  
Brass 1.760 lm

### (B)

Rated input wattage: 133 W  
Luminous flux:  
Porcelain 3.280 lm  
Pana porcelain 4.800 lm  
Glass 11.180 lm  
Brass 3.520 lm

### (C)

Rated input wattage: 201 W  
Luminous flux:  
Porcelain 4.920 lm  
Pana porcelain 7.200 lm  
Glass 16.770 lm  
Brass 5.280 lm

### (D)

Rated input wattage: 266 W  
Luminous flux:  
Porcelain 6.560 lm  
Pana porcelain 9.600 lm  
Glass 22.360 lm  
Brass 7.040 lm

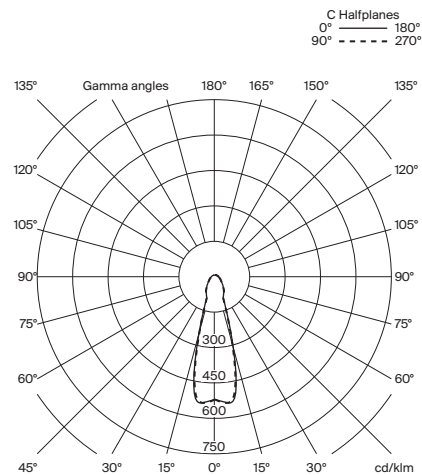
European version: suitable for dimming 1-10V / DALI. Not included external dimmer switch 1-10V / DALI.

American version: suitable for dimming 1-10V. Not included external dimmer switch 1-10V.

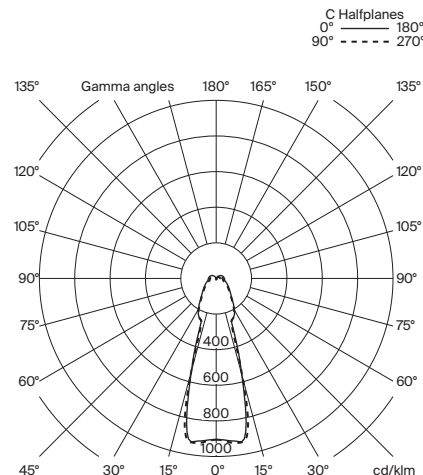
Suitable only for indoor use.  
Always use this light source.

Input voltage: 120 ~ 277 Vac.  
(50 Hz / 60 Hz). According to destination.

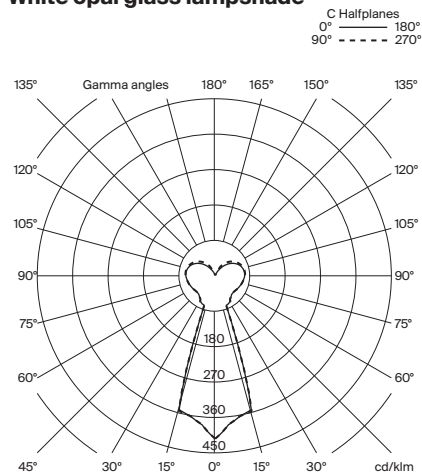
## White porcelain lampshade



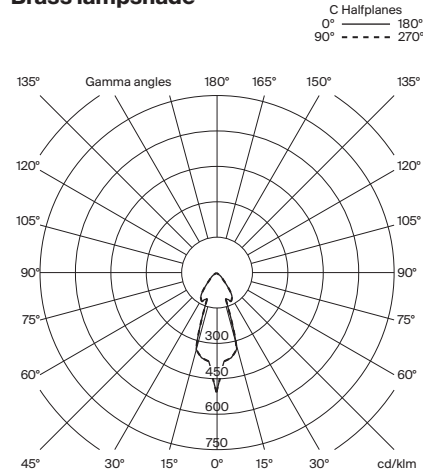
## White Pana porcelain lampshade



## White opal glass lampshade



## Brass lampshade



## Cirio Chandelier

Antoni Arola. 2015  
Pendant lamps

### Regulations:

European version  
UNE-EN 60598  
UNE-EN 55015  
UNE-EN 62031  
UNE-EN 61000-3-2  
UNE-EN 60529  
UNE-EN 61347-2-13

American version  
Dry and damp location  
UL-1598  
UL-8750  
E-336377

### Maintenance:

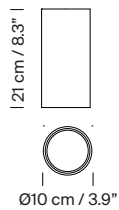
Clean with a smooth cloth. Do not use ammonia, solvents or abrasive cleaning products.

### Others:

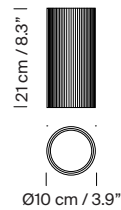
The lamp is delivered in different packages.  
The assembly instructions are delivered with the product.

### Model: Lampshades

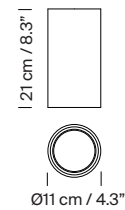
White porcelain



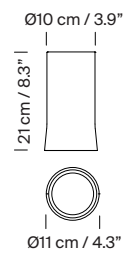
White Pana porcelain



White opal glass



Brass

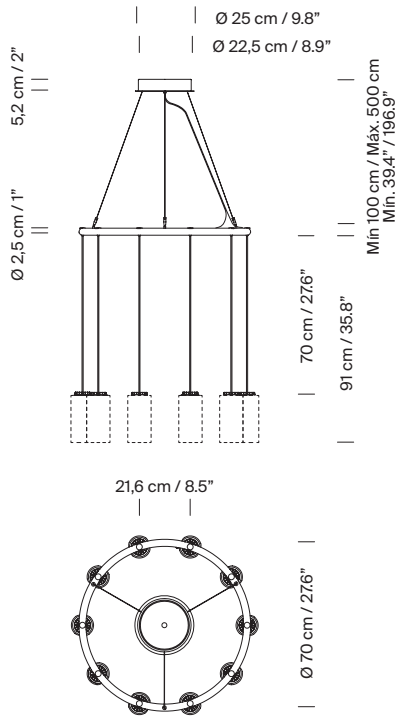


# Cirio Chandelier

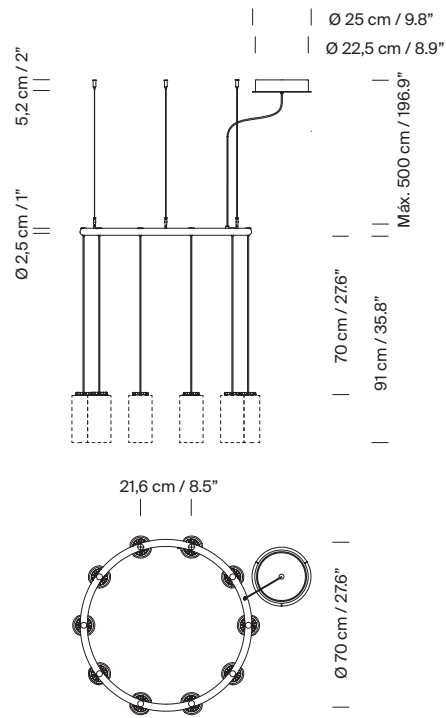
Antoni Arola. 2015  
Pendant lamps

## Model A: Cirio Chandelier XS

### Direct cable to canopy



### Direct cable to ceiling



### Codes / European Version

Lampshade	Dimming	Code
White porcelain	1-10V	CIHPD01
	DALI	CIHPD01D
White Pana porcelain	1-10V	CIHPD04
	DALI	CIHPD04D
Vidrio blanco opal	1-10V	CIHPD02
	DALI	CIHPD02D
Brass	1-10V	CIHPD03
	DALI	CIHPD03D

### Codes / American Version

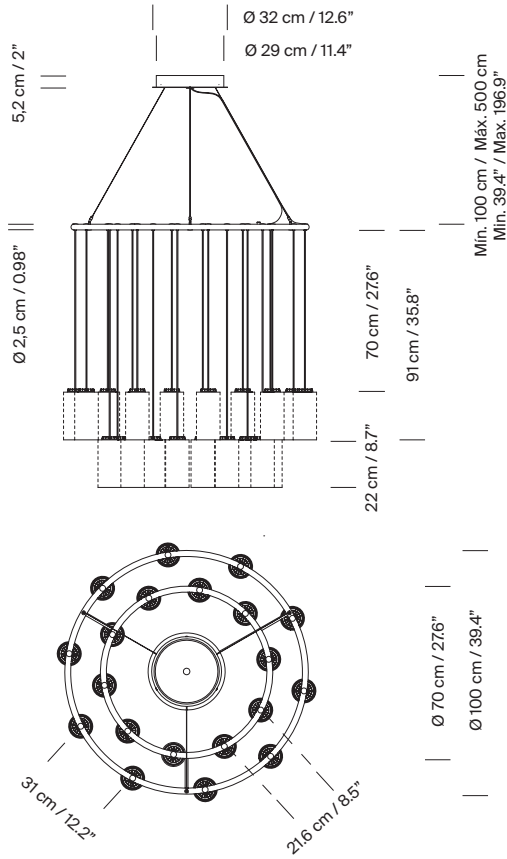
Lampshade	Dimming	Code
White porcelain	1-10V	CIHPD01UL
White Pana porcelain	1-10V	CIHPD04UL
White opal glass	1-10V	CIHPD02UL
Brass	1-10V	CIHPD03UL

# Cirio Chandelier

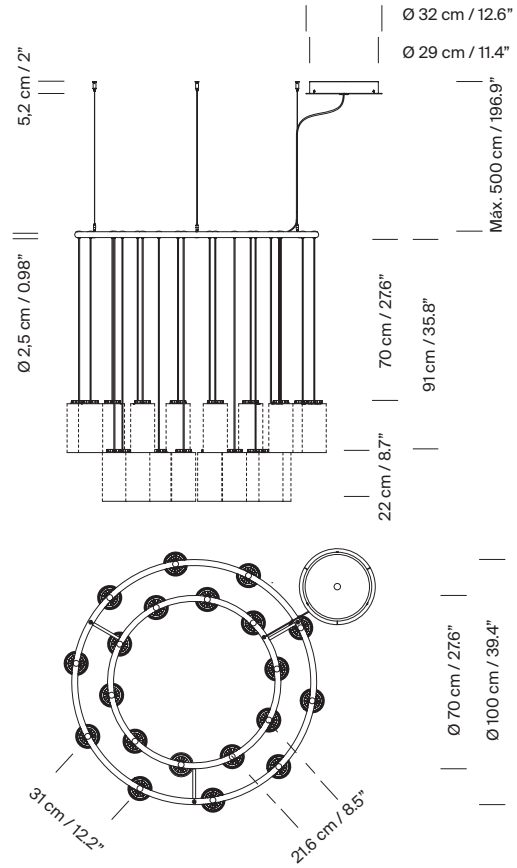
Antoni Arola. 2015  
Pendant lamps

## Model B: Cirio Chandelier S

Direct cable to canopy



Direct cable to ceiling



### Codes / European Version

Lampshade	Dimming	Code
White porcelain	1-10V	CIHPA01
	DALI	CIHPA01D
White Pana porcelain	1-10V	CIHPA04
	DALI	CIHPA04D
Vidrio blanco opal	1-10V	CIHPA02
	DALI	CIHPA02D
Brass	1-10V	CIHPA03
	DALI	CIHPA03D

### Codes / American Version

Lampshade	Dimming	Code
White porcelain	1-10V	CIHPA01UL
White Pana porcelain	1-10V	CIHPA04UL
White opal glass	1-10V	CIHPA02UL
Brass	1-10V	CIHPA03UL

# Cirio Chandelier

Antoni Arola. 2015

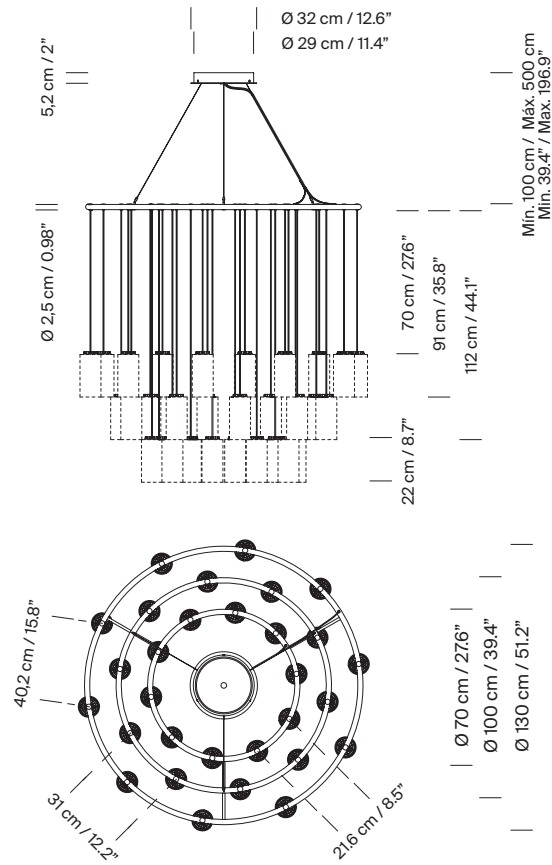
Pendant lamps



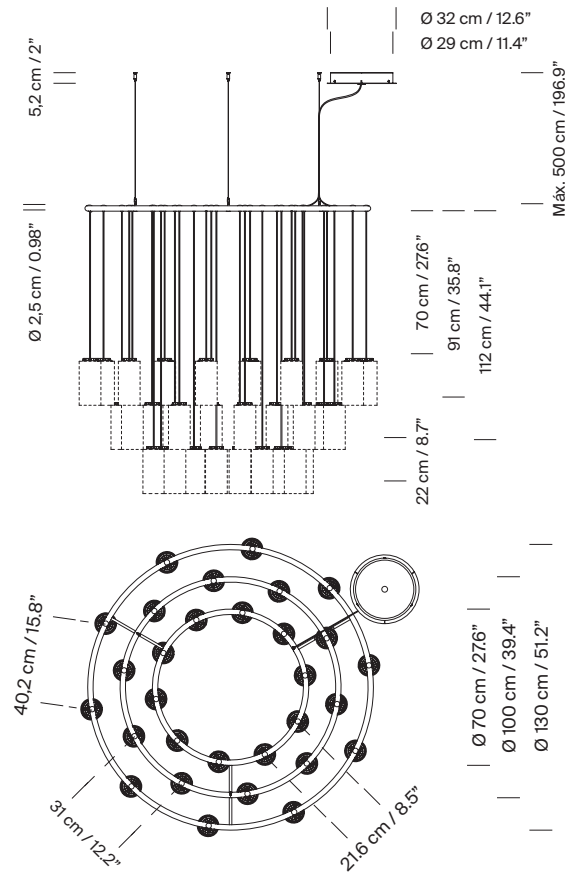
SANTA & COLE

## Model C: Cirio Chandelier M

Direct cable to canopy



Direct cable to ceiling



### Codes / European Version

Lampshade	Dimming	Code
White porcelain	1-10V	CIHPB01
	DALI	CIHPB01D
White Pana porcelain	1-10V	CIHPB04
	DALI	CIHPB04D
Vidrio blanco opal	1-10V	CIHPB02
	DALI	CIHPB02D
Brass	1-10V	CIHPB03
	DALI	CIHPB03D

### Codes / American Version

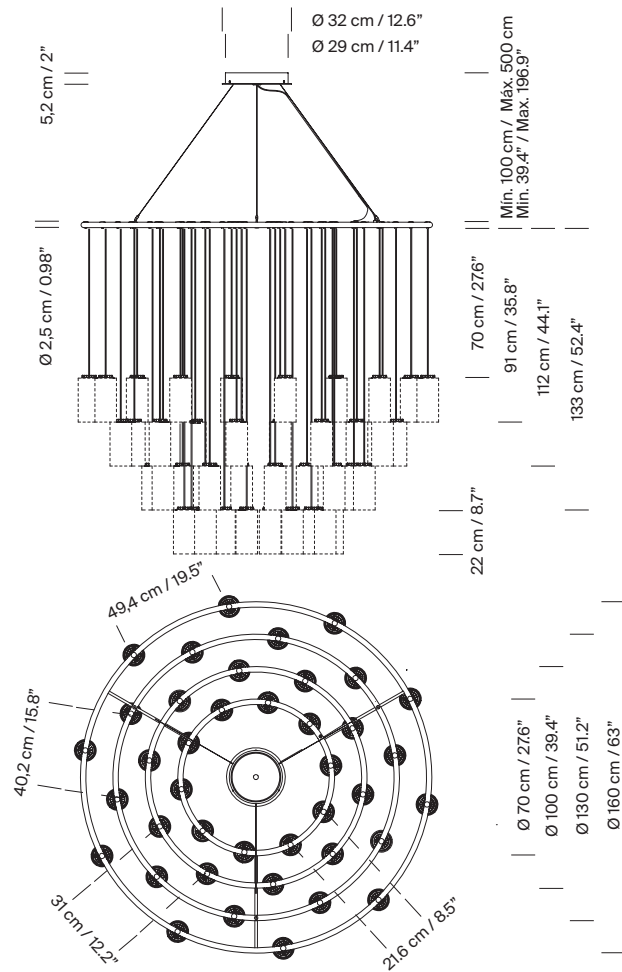
Lampshade	Dimming	Code
White porcelain	1-10V	CIHPB01UL
White Pana porcelain	1-10V	CIHPB04UL
White opal glass	1-10V	CIHPB02UL
Brass	1-10V	CIHPB03UL

# Cirio Chandelier

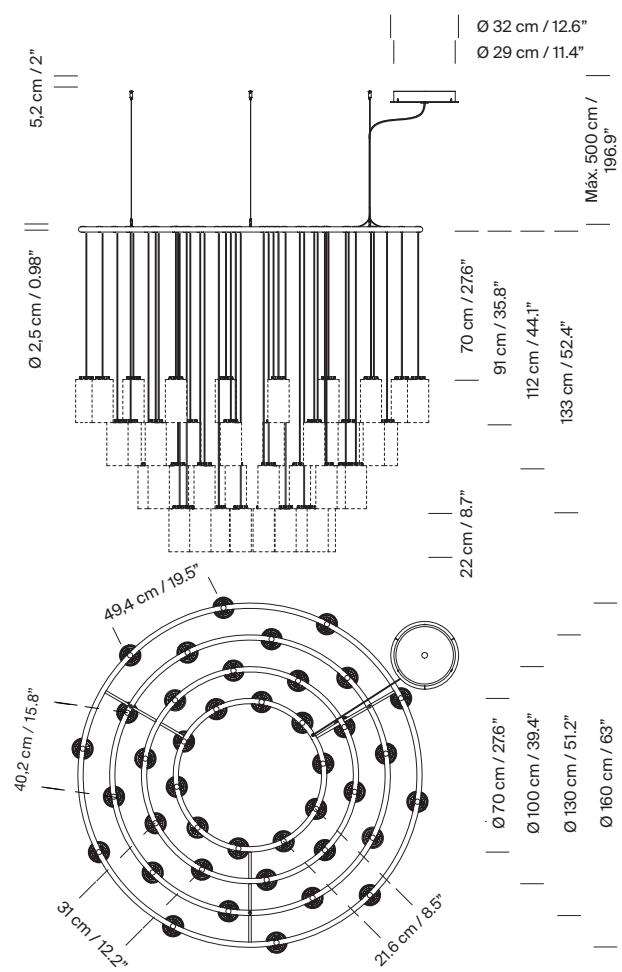
Antoni Arola. 2015  
Pendant lamps

## Model D: Cirio Chandelier L

Direct cable to canopy



Direct cable to ceiling



### Codes / European Version

Lampshade	Dimming	Code
White porcelain	1-10V	CIHPC01
	DALI	CIHPC01D
White Pana porcelain	1-10V	CIHPC04
	DALI	CIHPC04D
Vidrio blanco opal	1-10V	CIHPC02
	DALI	CIHPC02D
Brass	1-10V	CIHPC03
	DALI	CIHPC03D

### Codes / American Version

Lampshade	Dimming	Code
White porcelain	1-10V	CIHPC01UL
White Pana porcelain	1-10V	CIHPC04UL
White opal glass	1-10V	CIHPC02UL
Brass	1-10V	CIHPC03UL

## Cirio Chandelier

Antoni Arola. 2015  
Pendant lamps

### Collection: Pendant lamps



Cirio Simple



Cirio Múltiple



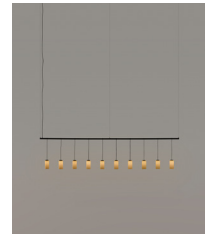
Cirio Cascada



Cirio Circular



Cirio Chandelier



Cirio Lineal

### Wall lamps



Cirio Cuadrada



Cirio Pana



Cirio