

Belloch

Lagranja Design. 2009

Chairs, armchairs, sofas and poufs



SANTA & COLE



Indoor



Outdoor

CE

Santa & Cole commissioned Lagranja studio to design this multipurpose chair for our offices in Belloch (Barcelona). Blending plastic for the backrest and seat, with noble materials such as wood or aluminium for the legs, the Belloch chair is made for both indoor and outdoor use. The result is a simple, modern and incredibly versatile chair.

Belloch features a sleek, lightweight and stackable design combining various colours and materials. It provides superior comfort for hours on end, in public or private spaces, in leisure or work settings, all over the world, including at our headquarters, of course.

General description:

Polypropylene (PP) + glass fiber seat and back.

Natural beech wood legs and seat in 6 different finishes: off-white, light grey, black, brown, green and red.

Matte anodized aluminium legs (suitable for outdoor use) and seat in off-white.

Stackable.

Approximate weight (unpacked):

3 kg / 6.6 lb (with wood legs)

3,5 kg / 7.7 lb (with aluminium legs)

Regulations:

European version

UNE-EN 581-1

UNE-EN 581-2

UNE-EN 1728

UNE-EN 1022

Internacional Regulations

ANSI-BIFMA x 5.1 for chairs type III

Maintenance:

For proper care of the chair simply wipe it with a damp, soapy cloth. It is advised not to use any ammonia, solvent or abrasive products.

Others:

Stackable, recommended up to four chairs.

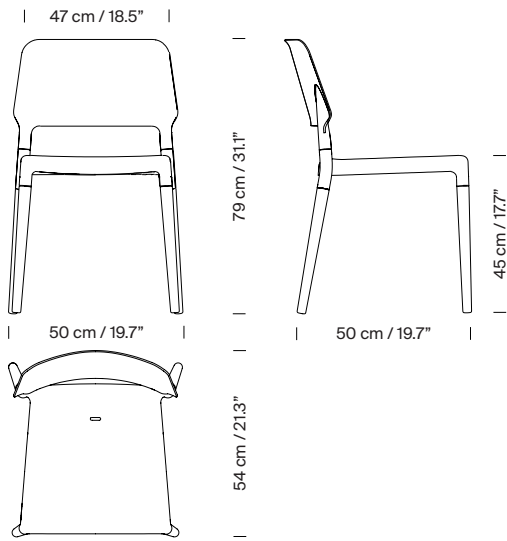
Chairs are delivered by unit or by groupage.

The assembly instructions are delivered with the product.

Belloch

Lagranja Design. 2009
Chairs, armchairs, sofas and poufs

Model:



Collection:

Chairs

Tables



Belloch



Belloch