

Lámina 45 / 85

Antoni Arola. 2018
Pendant Lamp


SANTA & COLE



Lámina 45



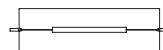
A

Sistema Lámina 45



B

Lámina 85



C

Sistema Lámina 85



D



A line of light and a thin sheet, softly but effectively light. Striking a balance between poetry and reason, Lámina is a system that defends the benefits of reflected light with simple, obvious forms, in a range of formats and shades that hide nothing and show everything.

General description:

Black metal structure with matte finish.
S&C white metallic shade with brilliant finish (exterior).
Polycarbonate diffuser.
Electric cable length: 5 m / 196.9"

Approximate weight (unpacked):

(A) Lámina 45: 2,8 Kg / 6.2 lb
(B) Sistema Lámina 45: 4 Kg / 8.8 lb
(C) Lámina 85: 3,7 Kg / 8.2 lb
(D) Sistema Lámina 85: 5,9 Kg / 13 lb

Technical information:

Light source included (dimnable).

(A) LED strip
Rated input wattage: 18 W
Operating voltage: 18VDC
Luminous flux: 711 lm

(B) LED strip
Rated input wattage: 31 W
Operating voltage: 36VDC
Luminous flux: 1.422 lm

(C) LED strip
Rated input wattage: 31 W
Operating voltage: 36VDC
Luminous flux: 1.394 lm

(D) LED strip
Rated input wattage: 54 W
Operating voltage: 36VDC
Luminous flux: 2.788 lm

Colour Temp.: 2.700K
CRI: 90
Lifetime: 40.000 h

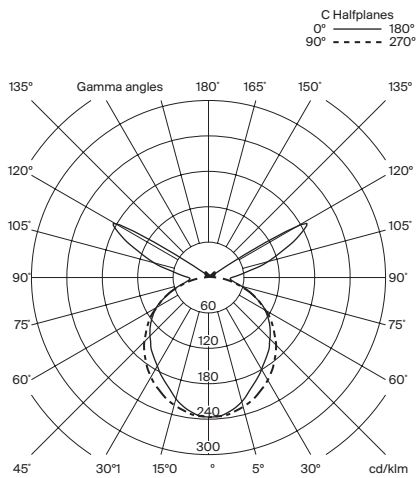
Built-in LED.
Suitable for dimming 0-10 / DALI (UL 1-10V). (Not included external dimmer switch 0-10V).
Energy efficiency class (E.E.C): D
Suitable only for indoor use.
Always use this light source.

Input voltage: 100 ~ 277 Vac.
(50 Hz / 60 Hz). According to destination.

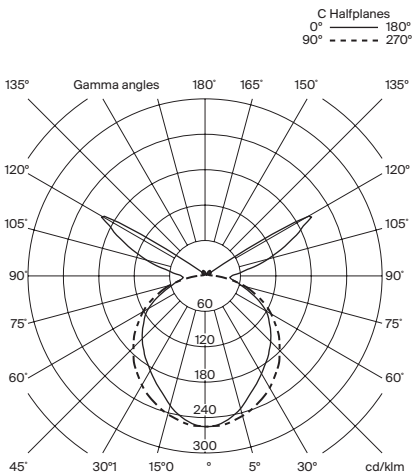
Lámina 45 / 85

Antoni Arola. 2018
Pendant Lamp

Model A: Lámina 45



Model E: Lámina 85



Regulations:

CE
UNE-EN 60598
UNE-EN 55015
UNE-EN 60529

UL

UL-1598

UL-8750

E-336377

Dry location only

Maintenance:

Clean with a smooth cloth. Do not use ammonia, solvents or abrasive cleaning products.

Others:

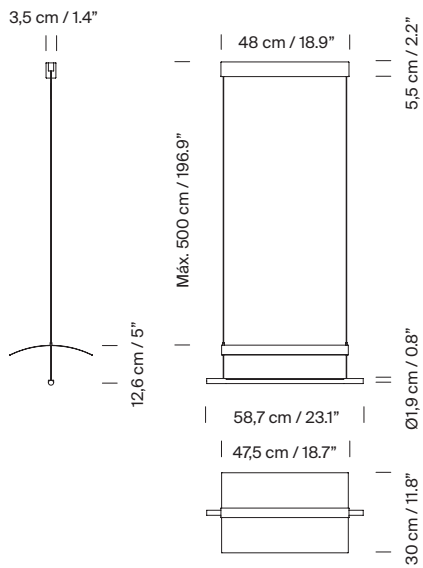
The lamp is delivered in different packages (**B, D**).

The assembly instructions are delivered with the product.

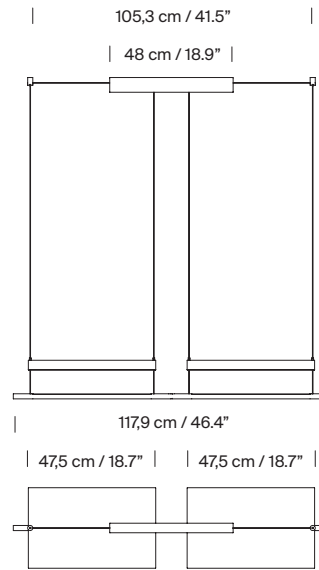
Lámina 45 / 85

Antoni Arola. 2018
Pendant Lamp

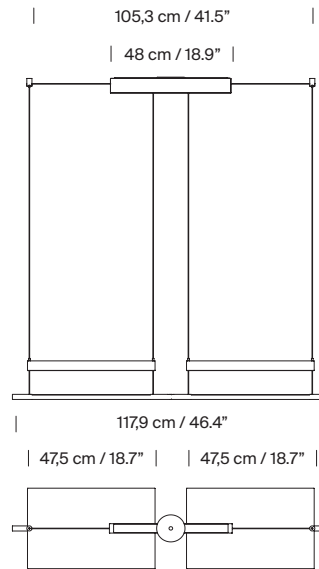
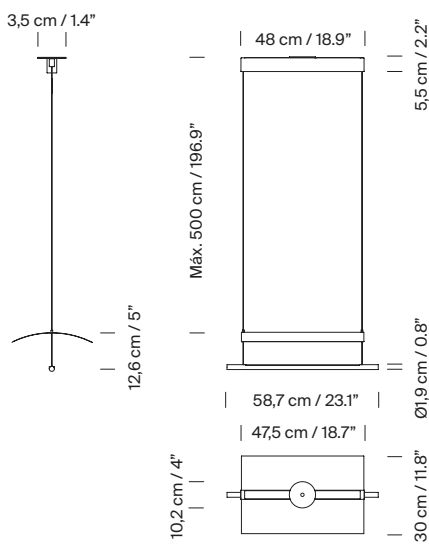
Modelo A: Lámina 45



Modelo B: Sistema Lámina 45 2 módulos



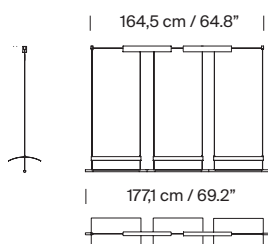
CE



UL US

Examples of composition

3 modules (A + B)



4 modules (A + 2B)

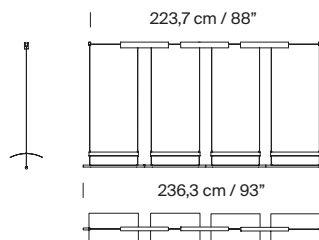
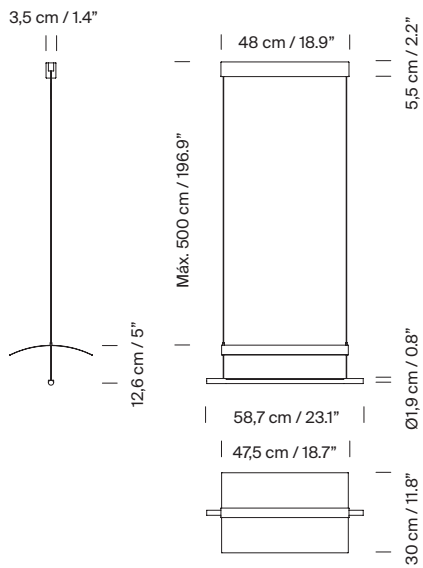


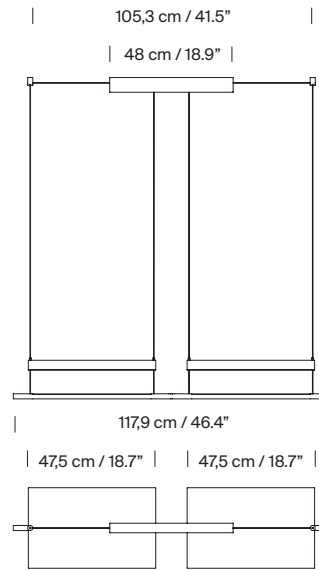
Lámina 45 / 85

Antoni Arola. 2018
Pendant Lamp

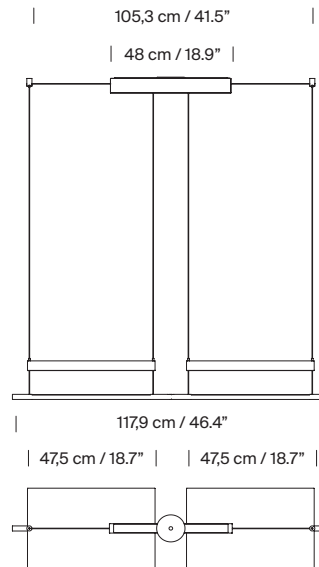
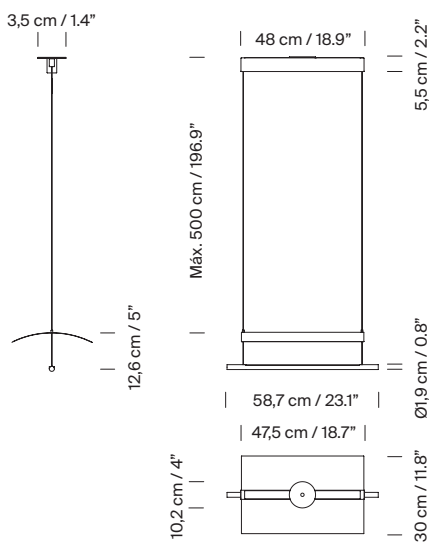
Modelo A: Lámina 45



Modelo B: Sistema Lámina 45 2 módulos



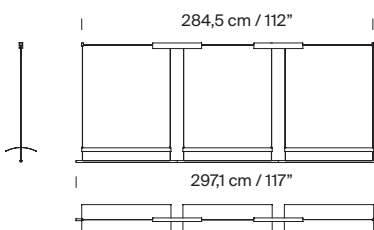
CE



UL US

Examples of composition

3 modules (A + B)



4 modules (A + 2B)

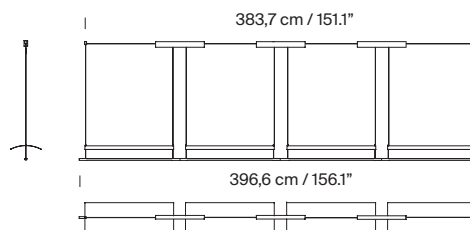


Lámina 45 / 85

Antoni Arola. 2018
Pendant Lamp

Collection:

Table lamps

Floor lamps

Pendant lamps



Lámina 45



Lámina 45



Lámina 165



Lámina 45 / 85



Lámina 165



Lámina Mayor

Wall lamps



Lámina 45



Lámina 165