

Harpo Bench

Gonzalo Milá, Miguel Milá. 2014

Urbidermis



Description

The Harpo bench stands out for being formally humble, multicultural, highly comfortable, and also for its economy of expression. Miguel and Gonzalo Milá – father and son – have solved the task of designing an outdoor bench that is easy to assemble, economical and comfortable. The family comprises four types of seats: a bench, banquette, armchair and a long-profile deckchair. These elements are conducive to rest and contemplation in private outdoor spaces. The Harpo bench provides accompaniment without garishness and imparts meaning by framing a tranquil scene.

Materials

Primed and thermo lacquered EN-AC-43000 die-cast aluminium structures. Seat and backrest made of 90 x 30 mm FSC certified tropical wood slats with one-coat oil protection. Pavement support bases made from black PA6 polyamide.

Installation

The element does not require installation. Installation and assembly instructions as well as screws and support bases are included.

Maintenance

No maintenance is required, except to preserve the original colour of the wood. Clean with a soft cloth; do not use ammonia products, solvents or abrasives.

Delivery

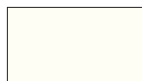
The element is delivered unassembled in two packages: supports and slats.

Regulations

UNE EN 335, UNE-EN 12373-1, UNE EN 12727, NF P99-610, UNE EN 581, UNE 41510, UNE 170001-1, UNE ISO 21542, UNE EN ISO 7599, UNE EN ISO 9227, FSC-STD-40-004 (license no.: FSC C009370)

All technical data is subject to industry standard tolerances.
Updated information available on urbidermis.com

Finishes



White



Green



Brown

*The colours shown are purely indicative and may differ from reality. (Other colours on request)

Weight kg (without packaging)

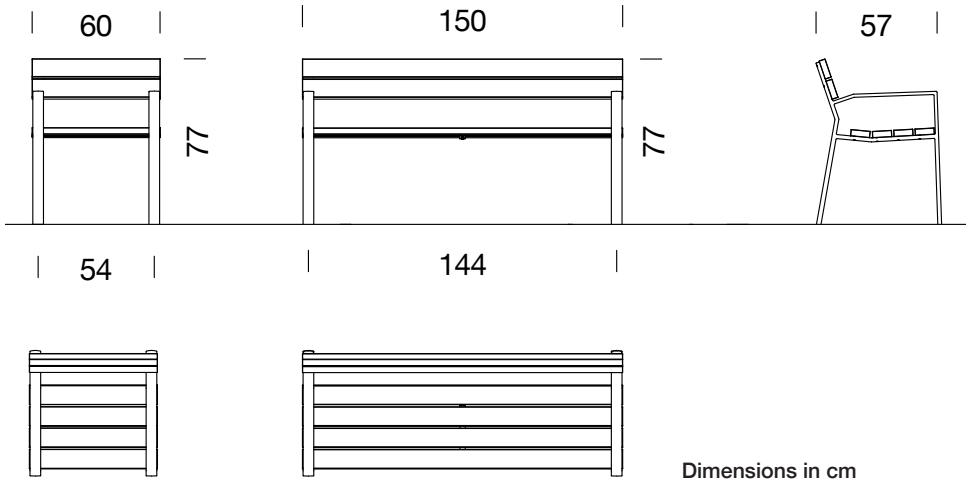
Chair 0.6 m: 18 kg

Bench 1.5 m: 30 kg

Harpo Bench

Gonzalo Milá, Miguel Milá. 2014

Urbidermis



Sede Parc de Belloch
Ctra. C-251, Km 5,6
E-08430 La Roca (Barcelona, España)
+34 938 619 100



Almacén
Carrer del Fou. Polígono Industrial Sud
E-08440 Cardedeu (Barcelona, España)
+34 938 619 182

Harpo Banquette

Gonzalo Milá, Miguel Milá. 2014

Urbidermis



Materials

Primed and thermo lacquered EN-AC-43000 die-cast aluminium structures. Seat made of 90 x 30 mm FSC certified tropical wood slats with one-coat oil protection. Pavement support bases made from black PA6 polyamide..

Installation

The element does not require installation. Installation and assembly instructions as well as screws and support bases are included.

Maintenance

No maintenance is required, except to preserve the original colour of the wood. Clean with a soft cloth; do not use ammonia products, solvents or abrasives.

Delivery

The element is delivered unassembled in two packages: supports and slats.

Normes

UNE EN 335, UNE-EN 12373-1, UNE EN 12727, NF P99-610, UNE EN 581, UNE 41510, UNE 170001-1, UNE ISO 21542, UNE EN ISO 7599, UNE EN ISO 9227, FSC-STD-40-004 (license no.: FSC C009370)

All technical data is subject to industrial tolerances.
Updated information: urbidermis.com

Finishes



White



Green



Brown

*The colours shown are purely indicative and may differ from reality. (Other colours on request)

Weight kg (without packaging)

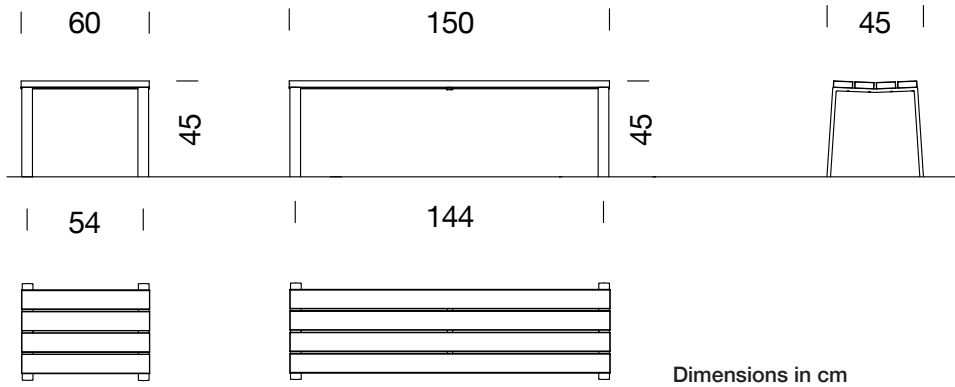
Banquette 0.6 m: 10 kg

Banquette 1.5 m: 14 kg

Harpo Banquette

Gonzalo Milá, Miguel Milá. 2014

Urbidermis



Sede Parc de Belloch
Ctra. C-251, Km 5,6
E-08430 La Roca (Barcelona, España)
+34 938 619 100



Almacén
Carrer del Fou. Polígono Industrial Sud
E-08440 Cardedeu (Barcelona, España)
+34 938 619 182

Harpo Longue Chair Bench

Gonzalo Milá, Miguel Milá. 2015

Urbidermis



Materials

Structures made from primed and thermo lacquered S235 JR steel plate. Seat made of 90 x 20 mm FSC certified tropical wood slats with one-coat oil protection. Pavement support bases made from black PA6 polyamide.

Installation

The element does not require installation. Installation and assembly instructions as well as screws and support bases are included.

Maintenance

No maintenance is required, except to preserve the original colour of the wood. Clean with a soft cloth; do not use ammonia products, solvents or abrasives.

Delivery

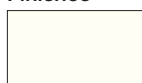
The element is delivered unassembled in two packages: supports and slats.

Normes

UNE EN 335, UNE-EN 12373-1, UNE EN 12727, NF P99-610, UNE EN 581, UNE 41510, UNE 170001-1, UNE ISO 21542, UNE EN ISO 7599, UNE EN ISO 9227, FSC-STD-40-004 (license no.: FSC C009370)

All technical data is subject to industrial tolerances.
Updated information: urbidermis.com

Finishes



White



Green



Brown

*The colours shown are purely indicative and may differ from reality. (Other colours on request)

Weight kg (without packaging)

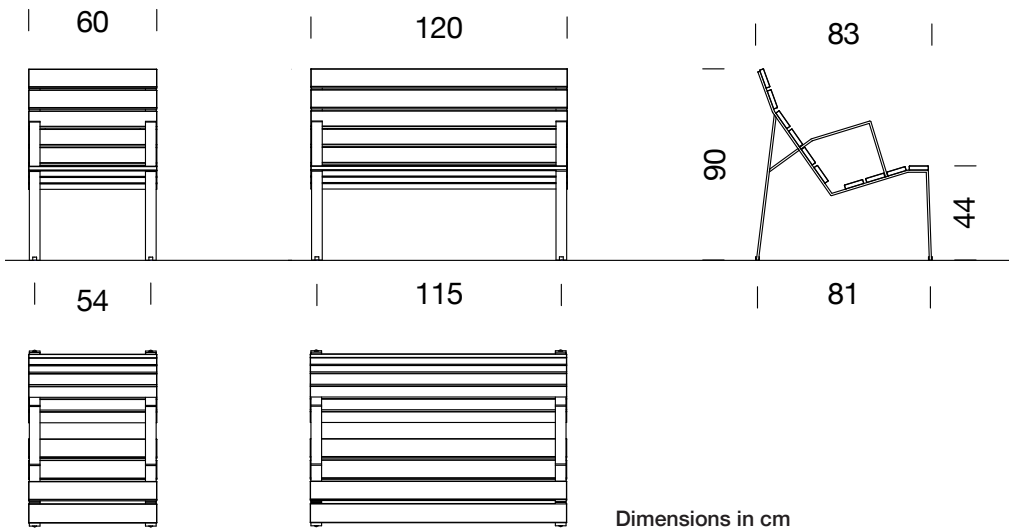
Longue chair 0.6 m: 33 kg

Longue chair 1.2 m: 47 kg

Harpo Longue Chair Bench

Gonzalo Milá, Miguel Milá. 2015

Urbidermis



Sede Parc de Belloch
Ctra. C-251, Km 5,6
E-08430 La Roca (Barcelona, España)
+34 938 619 100



Almacén
Carrer del Fou. Polígono Industrial Sud
E-08440 Cardedeu (Barcelona, España)
+34 938 619 182

Harpo Chaise Longue Bench

Gonzalo Milá, Miguel Milá. 2015

Urbidermis



Materials

Structures made from primed and thermo lacquered S235 JR steel plate. Seat made of 90 x 20 mm FSC certified tropical wood slats with one-coat oil protection. Pavement support bases made from black PA6 polyamide.

Installation

The element does not require installation. Installation and assembly instructions as well as screws and support bases are included.

Maintenance

No maintenance is required, except to preserve the original colour of the wood. Clean with a soft cloth; do not use ammonia products, solvents or abrasives.

Delivery

The element is delivered unassembled in two packages: supports and slats.

Normes

UNE EN 335, UNE-EN 12373-1, UNE EN 12727, NF P99-610, UNE EN 581, UNE 41510, UNE 170001-1, UNE ISO 21542, UNE EN ISO 7599, UNE EN ISO 9227, FSC-STD-40-004 (license no.: FSC C009370)

All technical data is subject to industrial tolerances.
Updated information: urbidermis.com

Finishes



White



Green



Brown

*The colours shown are purely indicative and may differ from reality. (Other colours on request)

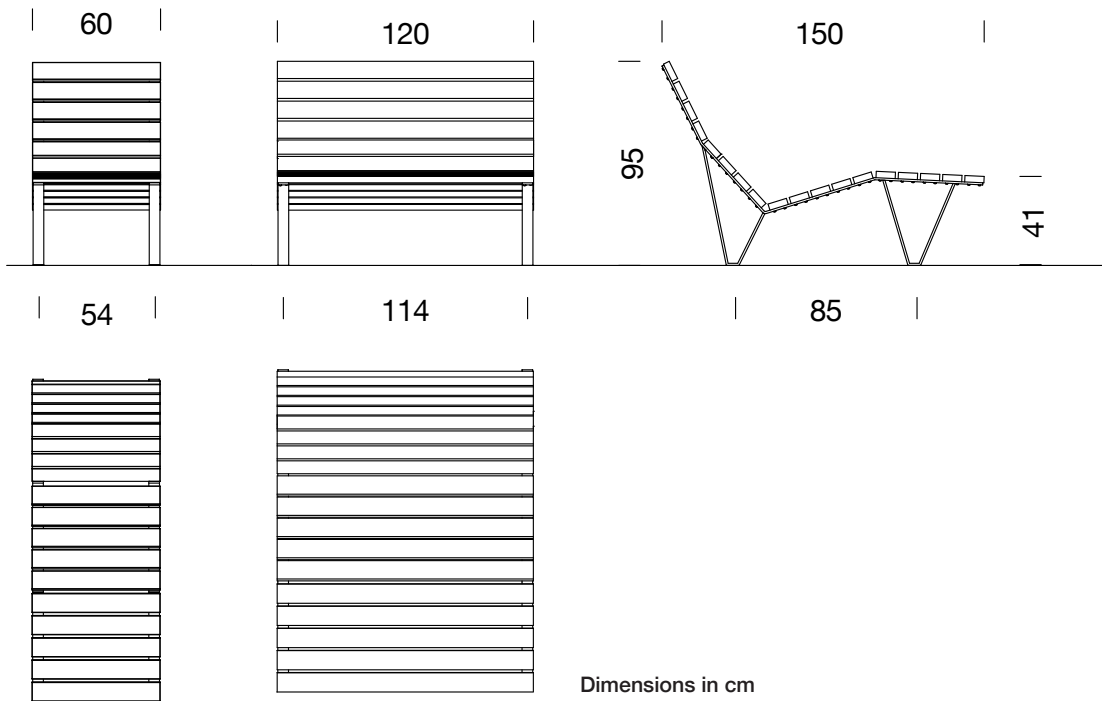
Weight kg (without packaging)

Chaise longue 0.6 m: 45 kg

Chaise longue 1.2 m: 73 kg

Harpo Chaise Longue Bench

Gonzalo Milá, Miguel Milá. 2015



Sede Parc de Belloch
 Ctra. C-251, Km 5,6
 E-08430 La Roca (Barcelona, España)
 +34 938 619 100

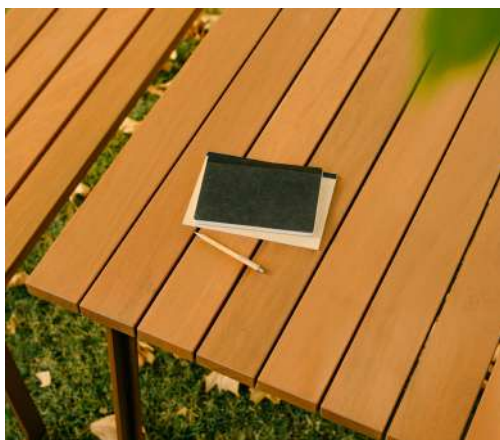


Almacén
 Carrer del Fou. Polígono Industrial Sud
 E-08440 Cardedeu (Barcelona, España)
 +34 938 619 182

Harpo Table

Gonzalo Milá, Miguel Milá. 2014

Urbidermis



Description

The Harpo table completes the calling to offer relaxation and communal coexistence in private spaces. It is a table made from noble, resistant materials pleasant to the touch, conceived to withstand weathering and intensive use. The Harpo table, like other elements of this extensive family, is formed by slats sourced from certified sustainable forestry, in line with our goal of controlling the impacts generated by our activity.

Materials

Structures made from primed and thermo lacquered S235 JR steel plate. Tabletop made of 90 x 30 mm FSC certified tropical wood slats with one-coat oil protection. Pavement support bases made from black PA6 polyamide.

Installation

The element does not require installation. Installation and assembly instructions as well as screws and support bases are included.

Maintenance

No maintenance is required, except to preserve the original colour of the wood. Clean with a soft cloth; do not use ammonia products, solvents or abrasives.

Delivery

The element is delivered unassembled in two packages: supports and slats.

Regulations

UNE EN 335, UNE-EN 12373-1, UNE EN 12727, NF P99-610, UNE EN 581, UNE 41510, UNE 170001-1, UNE ISO 21542, UNE EN ISO 7599, UNE EN ISO 9227, FSC-STD-40-004 (license no.: FSC C009370)

All technical specifications are subject to industrial tolerances.
Latest information: urbidermis.com

Finishes



White



Green



Brown

*The colours shown are purely indicative and may differ from reality. (Other colours on request)

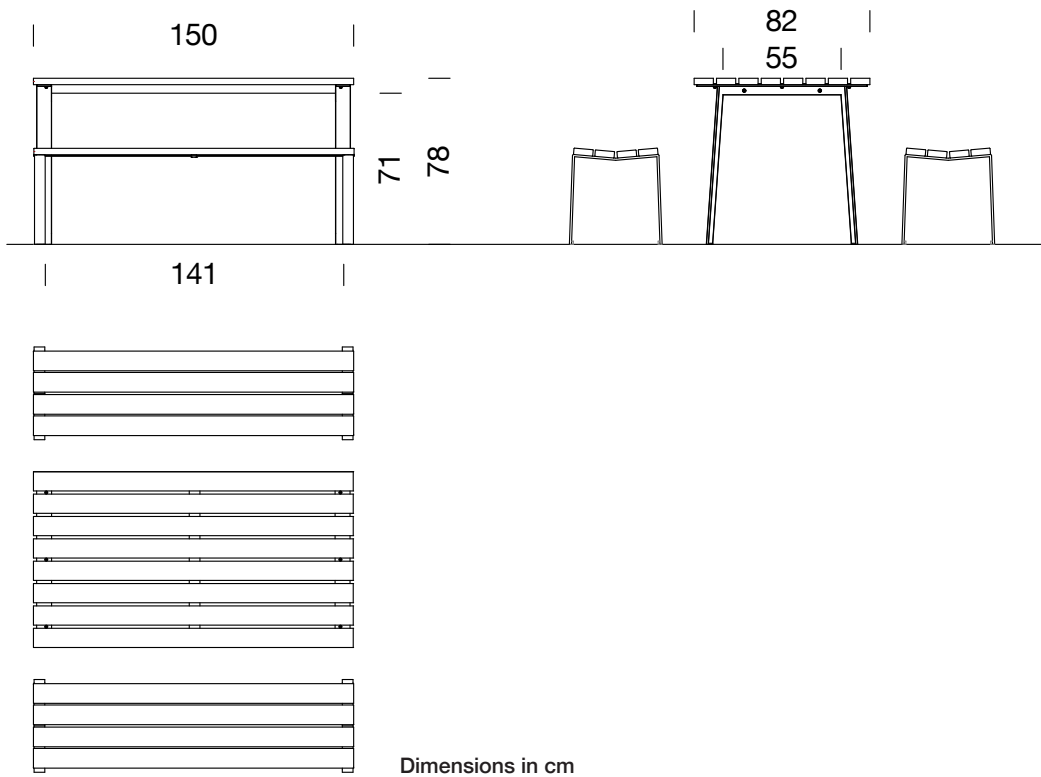
Weight kg (unpacked)

Table 1.5 m: 77 kg
Banquette 0.6 m: 10 kg
Banquette 1.5 m: 14 kg

Harpo Table

Gonzalo Milá, Miguel Milá. 2014

Urbidermis



Sede Parc de Belloch
Ctra. C-251, Km 5,6
E-08430 La Roca (Barcelona, España)
+34 938 619 100



Almacén
Carrer del Fou. Polígono Industrial Sud
E-08440 Cardedeu (Barcelona, España)
+34 938 619 182