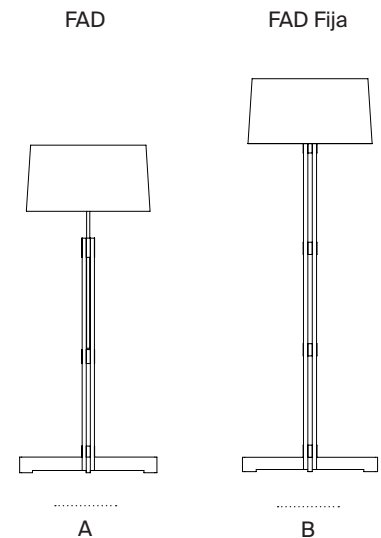


FAD

Miguel Milá. 1974
Floor Lamps



Originally designed for the headquarters of Barcelona's FAD (Fostering Arts and Design Association). The FAD was founded in 1903 by a group of artisans and architects deeply concerned about the consequences of industrialisation. For decades, the association has been a pioneer advocate for Spanish architecture and projective arts. Milá's timeless design is a true expression of industrial craftsmanship.

A hollowed cylindrical oak structure, creates a vertical symmetry that gracefully supports a white linen shade. The cross-shaped legs that recall other classics by Miguel Milá, share the same dimensions as the shade's lower circumference.

Designed without artifice, the FAD floor and table lamps spark emotion through their simplicity. Both formats allow adjustable light intensity.

General description:

Natural oak wood structure.

White linen lampshade.

(A) Height-adjustable.

Electric cable length: 2,5 m / 98.4"

Approximate weight (unpacked):

(A) FAD: 3 kg / 6.6 lb

(B) FAD Fija: 3 kg / 6.6 lb

Technical information:

Includes dimmable light source (CE market):

LED bulb: 12 W / 1.521 lm. / A++ (subject to updates in LED technology).

E27 - E26 / Max. hgt. 130 mm / 5.1" / Max. power 100 W

Includes dimmer (dimmable light source required).

Compatible with bulbs of the Energy efficiency class (E.E.C): A++ ... E.

Suitable only for indoor use.

Always use the light source recommended or equivalent.

Input voltage: 100, 120, 230 Vac.

(50 Hz / 60 Hz). According to destination

FAD

Miguel Milá. 1974
Floor Lamps

Regulations:

CE
UNE-EN 60598
UNE-EN 55015
UNE-EN 60529

UL

Dry location only
UL-1598
E-352592

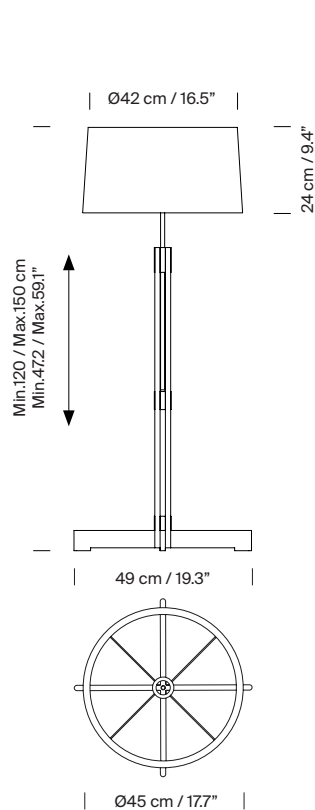
Maintenance:

Clean with a smooth cloth. Do not use ammonia, solvents or abrasive cleaning products.

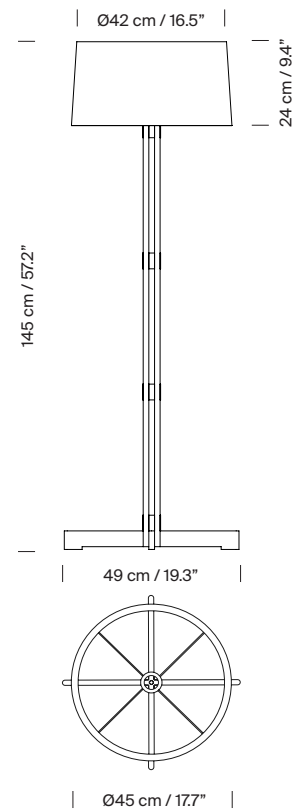
Others:

The lamp is delivered in different packages.
The assembly instructions are delivered with the product.

Model A: FAD



Model B: FAD Fija



Collection:

Table lamps

Floor lamps



FAD



FAD